

NEXA



MYCR-1/SET

PLUG-IN ON/OFF & REMOTE CONTROL

TEKNISK DATA / TECHNICAL DATA

MYCR-3500 – PLUG-IN ON/OFF

Switch type	Relay
Power supply	220-240 V~50 Hz
Max. load	3500 W / 15A
Frequency	System Nexa (433,92 MHz)
Range	up to 30 m
Memory slots	32
Power consumption	< 1 W (standby)
IP rating	Indoor use
Size	53 x 53 x 58 mm

NEYCT-705 – FJÄRRKONTROLL / REMOTE CONTROL

Battery	1 x CR2032
Frequency	System Nexa (433,92 MHz)
Channels	16
Max ERP	10 mW
Size	110 x 37 x 15 mm

ENGLISH

THIS PRODUCT SUPPORTS SMART MODE.

Devices that support Smart Mode can save up to 3 different favourite scenarios, and these can be activated easily using a Nexa Smart Mode transmitter. *NOTE: the included remote control is not a Smart Mode transmitter.*

Plug-in receiver with on/off button on the receiver. Works with System Nexa remote controls, transmitters and the Nexa Bridge. This is a self-training system, so installation is very easy and flexible.

INSTALLATION

Connect the load to the receiver. Ensure that the load does not exceed 3500 W.

PROGRAMMING

1. Connect the receiver (plug-in) to a power socket. The receiver goes into setup mode as soon as it is powered up.
2. Press the "ON" button for the selected channel on the remote control within 6 seconds.

PROGRAMMING CONFIRMATION

The LED indicator on the receiver flashes rapidly. If a light is connected to the receiver, this flashes twice.

DELETING MEMORY

1. To delete a memory slot, remove the receiver (plug-in) from the wall socket
2. Wait at least 6 seconds
3. Reconnect the receiver to a wall socket
4. Press the "OFF" button for the selected channel on the remote control within 6 seconds.

To delete all storage locations, repeat steps 1-3 above, then press the "ALL OFF" button on the remote control within 6 seconds.

CONFIRMATION OF DELETION

The LED indicator on the receiver flashes rapidly. If a light is connected to the receiver, this flashes twice.

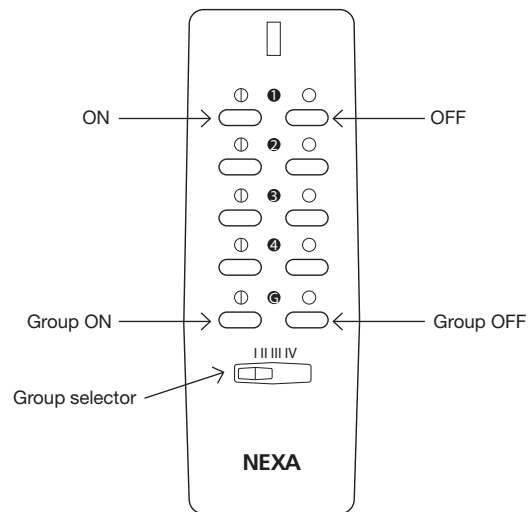
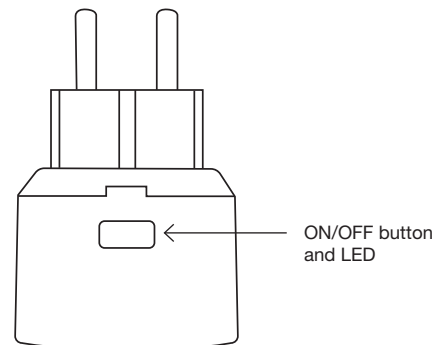
MEMORY SLOTS

Every MYCR-3500 plug-in receiver has 32 memory slots. When memory slot 32 is occupied, slot 1 is overwritten during setup.

CONTROL

The plug-in receiver can be controlled in a number of ways.

1. With a System Nexa remote control
2. With other programmed System Nexa transmitters
3. With the On/Off button on the plug-in receiver
4. With a Nexa Bridge



The remote control has 16 channels divided into 4 groups. Use the Group ON/Group OFF button to switch all the channels in a group on or off.

Safety and information

Indoor range: up to 30 m (optimal conditions). The range is strongly dependent on local conditions, such as the presence of metals. For example, the thin metal coating in Low-emissivity (Low-E) glass has a negative impact on the range of radio signals. There may be restrictions on the use of this device outside the EU. If applicable, check whether this device complies with local directives.

Maximum load: Never connect lights or equipment that exceed the maximum load of the receiver, as it can result in defects, a short circuit or fire.

Life-support: Never use Nexa products for life-support systems or other applications in which equipment malfunctions can have life-threatening consequences.

Interference: All wireless devices may be subject to interference, which could affect performance. The minimum distance between 2 receivers should be at least 50 cm.

Repairing: Do not attempt to repair this product. There are no user-serviceable parts inside.

Water-resistance: This product is not water-resistant. Keep it dry. Moisture will corrode the inner electronics and can result in a short circuit, defects and shock hazard.

Cleaning: Use a dry cloth to clean this product. Do not use harsh chemicals, cleaning solvents, or strong detergents.

Environment: Do not expose the product to excessive heat or cold, as it can damage or shorten the life of electronic circuit boards.

NEXA

NEXA AB, DATAVÄGEN 37B, 436 32 ASKIM, SWEDEN
info@nexa.se | www.nexa.se